

IZAR PULSE i

ELECTRONIC ACCESSORY | TRANSMITTER

DIEHL
Metering



APPLICATION

IZAR PULSE i is a pulse emitter that can be clipped onto all the water meters of the Diehl Metering inductive modularity (Ti) making them communicative in a very easy way.

IZAR PULSE i generates pulses to manage the water volume and features fraud alarms. It can be connected to remote reading or consumption analysis systems. IZAR PULSE i features a clamping ring for secured fixing and easy re-mounting on another meter.

FEATURES

- ▶ Compatible with inductive modularity "Ti"
- ▶ 3 and 4-wires versions available
- ▶ Several configurations possible on request
- ▶ Flow direction management
- ▶ Tampering alarms
- ▶ Open collector output
- ▶ Available in dry-contact version, specific pulse weights and 3-output version
- ▶ Up to 15 years lifetime

IZAR PULSE I

ELECTRONIC ACCESSORY | TRANSMITTER

OPERATING PRINCIPLE

IZAR PULSE i is a ring equipped with a sensor based on the inductive principle and with a specific electronic system that exploits the information to be transmitted in the form of an open-collector signal (polarised).

The inductive system featured in IZAR PULSE i is actuated using a metal $\frac{1}{2}$ disc located in the Diehl Metering modular register of the water meter.

TECHNICAL DATA

IZAR PULSE I	
Cable length	1.5 m (3-wires version) / 5 m (4-wires version)*
Power supply	Lithium battery 3.6 V
Battery lifetime	Up to 15 years **
Output	Maximum current values : 50 mA Maximum voltage values : 30V
Pulse duration	50 ... 500 ms
Pulse ratio	1:1 litre 1:10 litre 1:100 litre ***
Maximum frequency	Hz 8
Open collector output impedance	> 1M Ω
Standards	2014/30/UE Directive, CE

* May vary by up to +/- 1.5% due to manufacturing tolerances.

** Standard conditions of use and temperature. Theoretical life, with no guarantee.

*** Other values on request

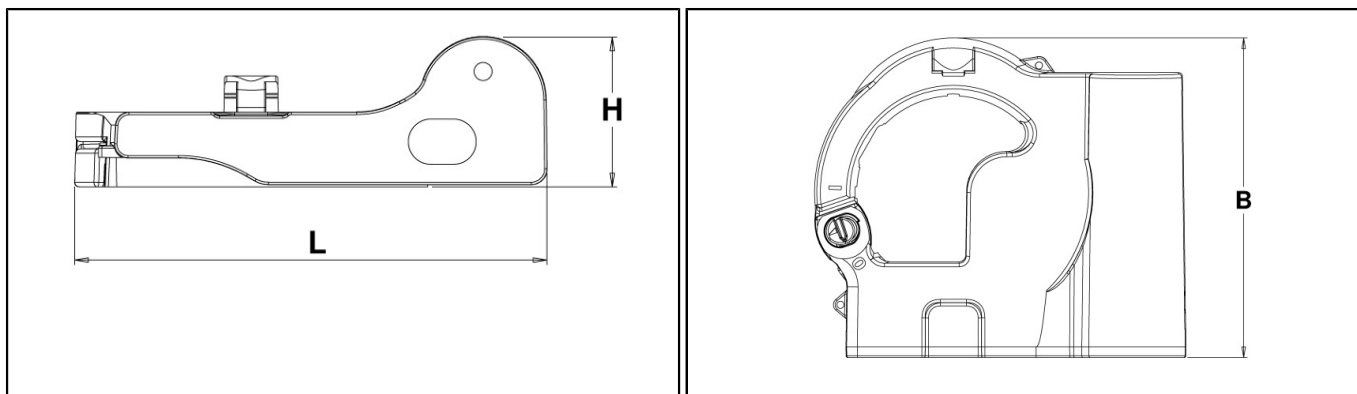
AMBIENT CONDITIONS

IZAR PULSE I	
Operating temperatures range	°C -15 ... +55
Storage temperatures range	°C -20 ...+70
Ambient humidity	% 0 ... 100
Degree of protection	IP 68

COMPATIBILITY

IZAR PULSE I	
Meters	Diehl Metering inductive modular range "Ti".

DIMENSIONS



IZAR PULSE I			
Length	L	mm	100
Height	H	mm	33
Width	B	mm	100